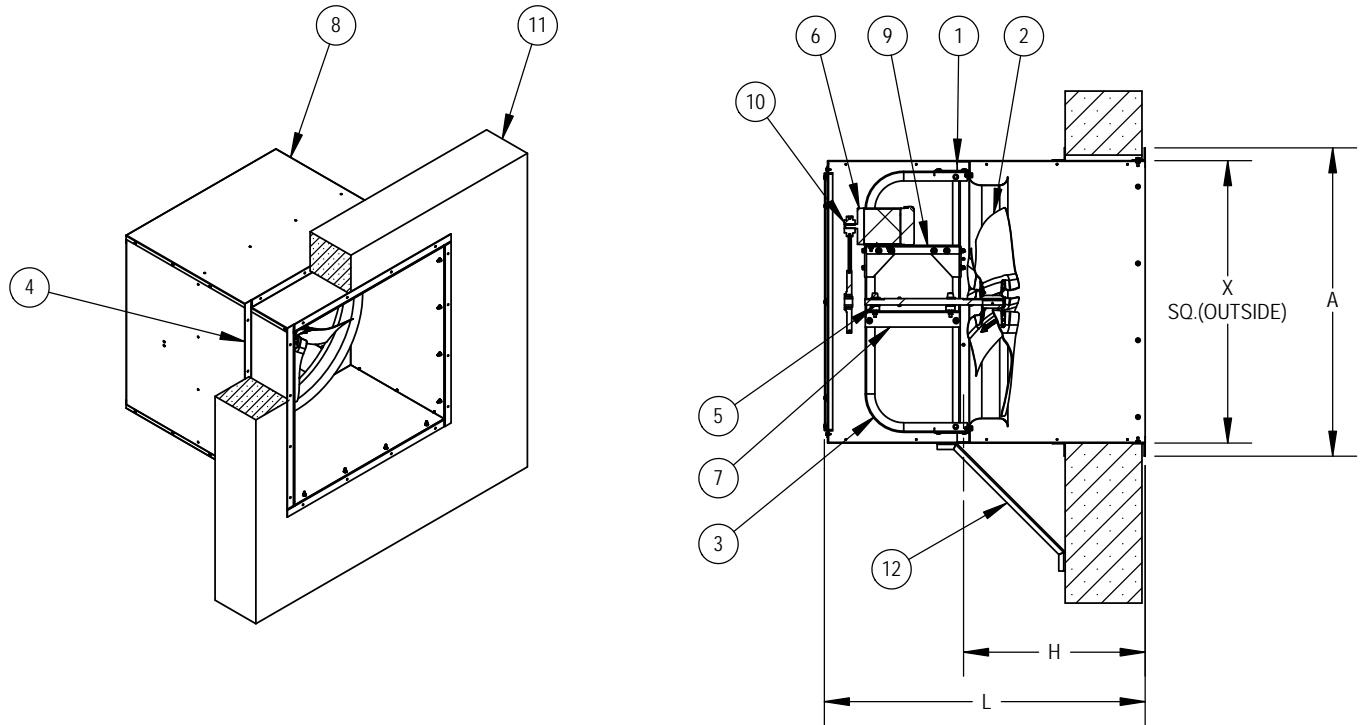


**LWP WALL SLEEVE
 MODELS LWP 20 THRU LWP 60 (EXHAUST)**



LEGEND

- | | | |
|---|--------------------------------|------------------------------|
| 1 VENTURI PANEL | 5 DRIVE SHAFT & BEARINGS | 9 MOTOR MOUNTING PLATE |
| 2 PROPELLER | 6 MOTOR | 10 PULLEYS |
| 3 STRUCTURE ASSEMBLY | 7 BEARING MOUNTING PLATE | 11 WALL (BY OTHERS) |
| 4 PERIMETER ANGLE FRAME
(ADJUSTABLE TO WALL THICKNESS) | 8 GALVANIZED STEEL WALL SLEEVE | 12 ANGLE SUPPORT (BY OTHERS) |

DIMENSIONAL DATA

MODEL	X sq(OUTSIDE)	L	H	A
20	26 5/16	43 5/8	25 3/4	30 1/4
24	32 5/16	44 1/2	26 5/8	36 1/4
30	38 5/16	48 7/8	27 1/8	42 1/4
36	44 5/16	50 1/8	28 3/8	48 1/4
42	50 5/16	51 3/8	29 5/8	54 1/4
48	56 5/16	54 3/4	32 1/4	60 1/4
54	62 5/8	57 1/2	33 3/8	66 5/16
60	68 5/8	59 1/4	34 7/8	72 5/16

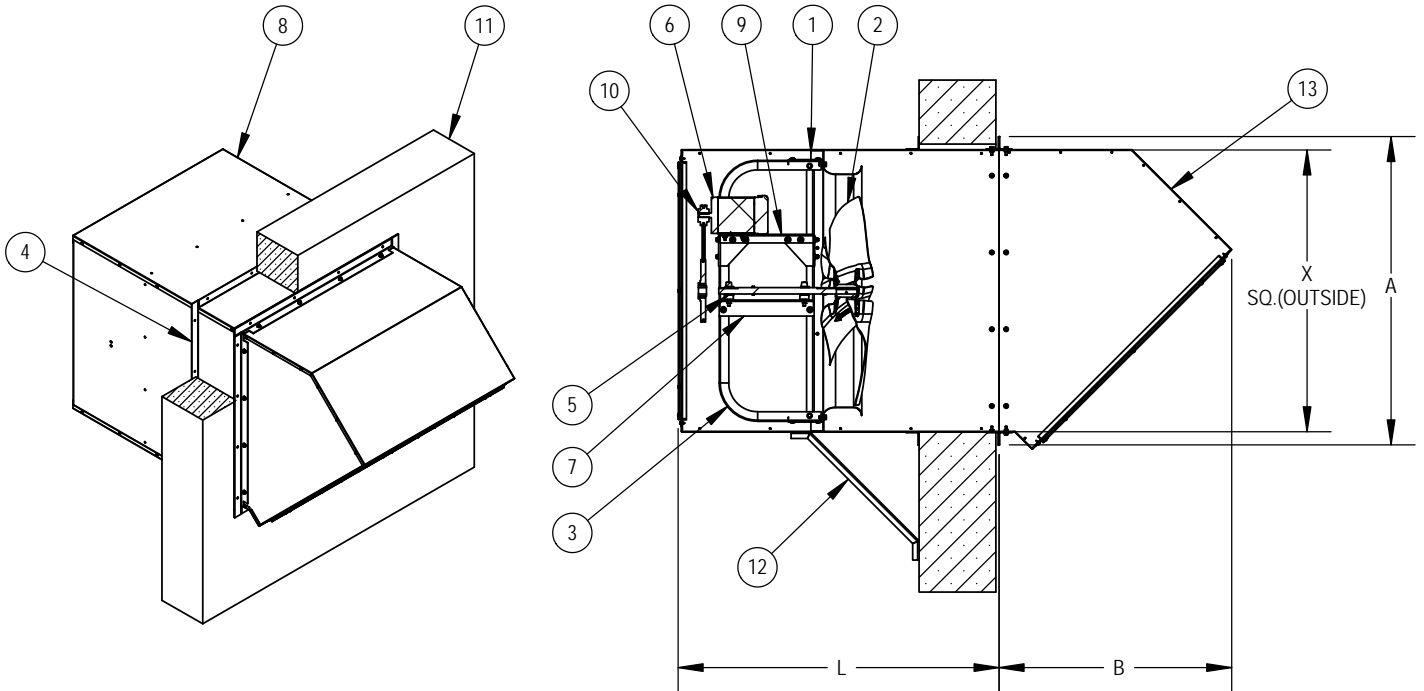
ALL DIMENSIONS IN INCHES.

REVISION:

FORM:

REPLACES:

**LWP WALL SLEEVE W/45 DEG WEATHER HOOD
 MODELS LWP 20 THRU LWP 60 (EXHAUST)**



LEGEND

- | | | |
|---|---|------------------------------|
| 1 VENTURI PANEL | 5 DRIVE SHAFT & BEARINGS | 9 MOTOR MOUNTING PLATE |
| 2 PROPELLER | 6 MOTOR | 10 PULLEYS |
| 3 STRUCTURE ASSEMBLY | 7 BEARING MOUNTING PLATE | 11 WALL (BY OTHERS) |
| 4 PERIMETER ANGLE FRAME
(ADJUSTABLE TO WALL THICKNESS) | 8 GALVANIZED STEEL WALL SLEEVE (OPTIONAL) | 12 ANGLE SUPPORT (BY OTHERS) |
| | | 13 WEATHER GUARD (45 DEG) |

DIMENSIONAL DATA

MODEL	X SQ.(OUTSIDE)	L	B	A
20	26 5/16	43 5/8	23 9/16	30 1/4
24	32 5/16	44 1/2	27 15/16	36 1/4
30	38 5/16	48 7/8	32 1/16	42 1/4
36	44 5/16	50 1/8	36 3/8	48 1/4
42	50 5/16	51 3/8	40 5/8	54 1/4
48	56 5/16	54 3/4	44 7/8	60 1/4
54	62 5/8	57 1/2	49 1/4	66 5/16
60	68 5/8	59 1/4	53 5/8	72 5/16

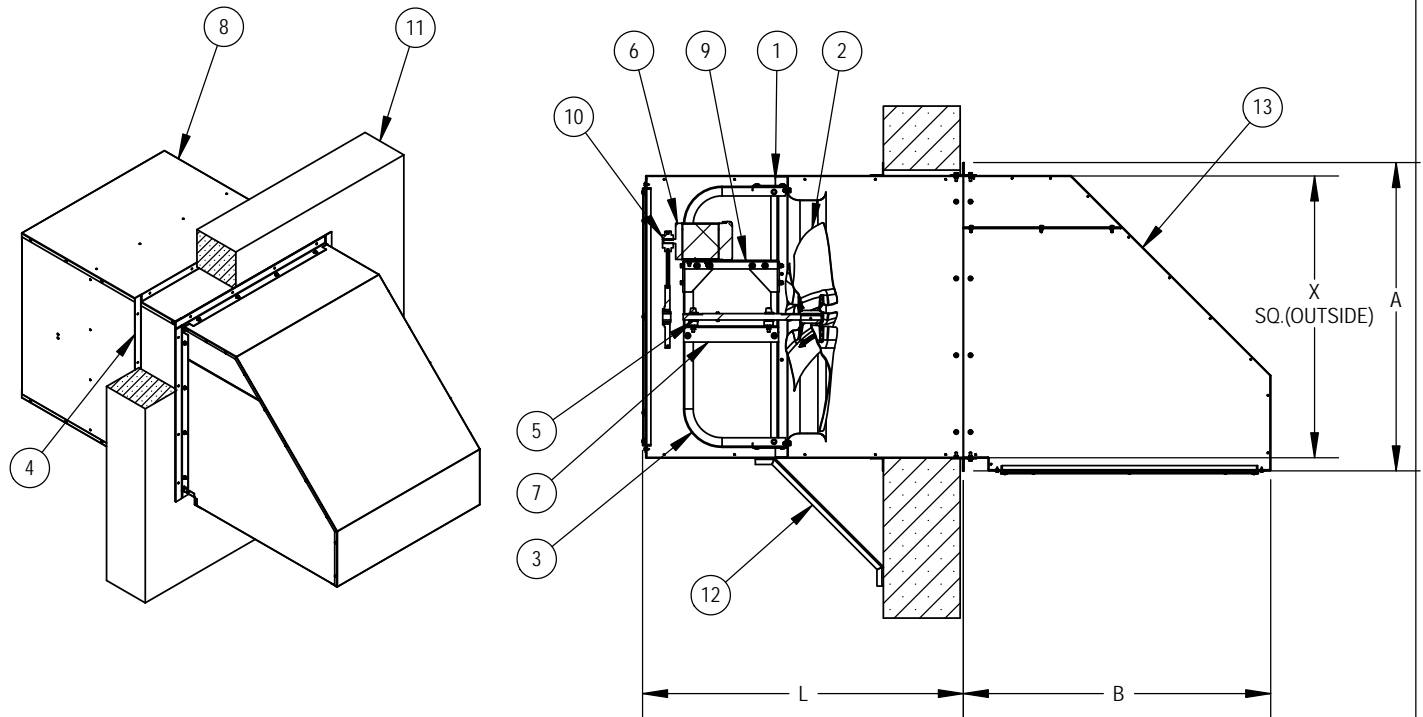
ALL DIMENSIONS IN INCHES.

REVISION:

FORM:

REPLACES:

**LWP WALL SLEEVE W/90 DEG WEATHER HOOD
 MODELS LWP 20 THRU LWP 60 (EXHAUST)**



LEGEND

- | | | |
|---|---|------------------------------|
| 1 VENTURI PANEL | 5 DRIVE SHAFT & BEARINGS | 9 MOTOR MOUNTING PLATE |
| 2 PROPELLER | 6 MOTOR | 10 PULLEYS |
| 3 STRUCTURE ASSEMBLY | 7 BEARING MOUNTING PLATE | 11 WALL (BY OTHERS) |
| 4 PERIMETER ANGLE FRAME
(ADJUSTABLE TO WALL THICKNESS) | 8 GALVANIZED STEEL WALL SLEEVE (OPTIONAL) | 12 ANGLE SUPPORT (BY OTHERS) |
| | | 13 WEATHER GUARD (90 DEG) |

DIMENSIONAL DATA

MODEL	X SQ.(OUTSIDE)	L	B	A
20	26 5/16	43 5/8	28 13/16	30 1/4
24	32 5/16	44 1/2	35 1/4	36 1/4
30	38 5/16	48 7/8	41 5/8	42 1/4
36	44 5/16	50 1/8	48	48 1/4
42	50 5/16	51 3/8	54 7/16	54 1/4
48	56 5/16	54 3/4	60 13/16	60 1/4
54	62 5/8	57 1/2	67 3/8	66 5/16
60	68 5/8	59 1/4	73 13/16	72 5/16

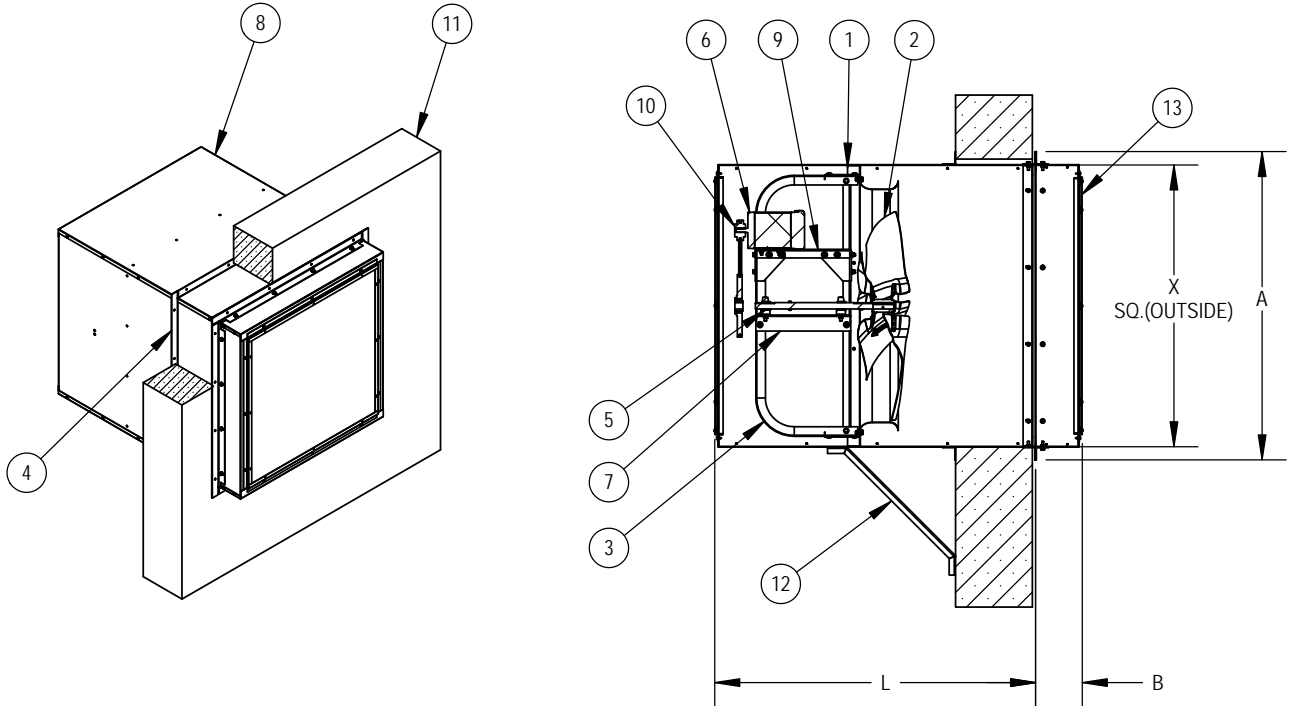
ALL DIMENSIONS IN INCHES.

REVISION:

FORM:

REPLACES:

**WALL SLEEVE W/DAMPER GUARD
 MODELS LWP 20 THRU LWP 60 (EXHAUST)**



LEGEND

- | | | |
|---|----------------------------------|------------------------------|
| 1 VENTURI PANEL | 5 DRIVE SHAFT & BEARING | 9 MOTOR MOUNTING PLATE |
| 2 PROPELLER | 6 MOTOR | 10 PULLEYS |
| 3 STRUCTURE ASSEMBLY | 7 BEARING MOUNTING PLATE | 11 WALL (BY OTHERS) |
| 4 PERIMETER ANGLE FRAME
(ADJUSTABLE TO WALL THICKNESS) | 8 GALVANIZED STEEL WALL SLEEVE * | 12 ANGLE SUPPORT (BY OTHERS) |
| | | 13 DAMPER GUARD |

* SHUTTER GUARD IS AVAILABLE WITH WALL SLEEVE AND WALL COLLAR

DIMENSIONAL DATA

MODEL	X SQ.(OUTSIDE)	L	B	A
20	26 15/16	43 5/8	6 15/16	30 1/4
24	32 15/16	44 1/2	6 15/16	36 1/4
30	38 15/16	48 7/8	6 15/16	42 1/4
36	44 15/16	50 1/8	7 5/16	48 1/4
42	50 15/16	51 3/8	8 1/16	54 1/4
48	56 15/16	54 3/4	8 1/16	60 1/4
54	62 5/8	57 1/2	8 1/16	66 5/16
60	68 5/8	59 1/4	8 1/16	72 5/16

ALL DIMENSIONS IN INCHES.

REVISION:

FORM:

REPLACES: